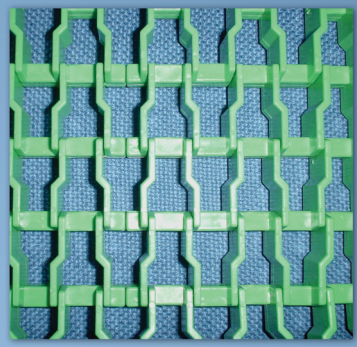


GB-104



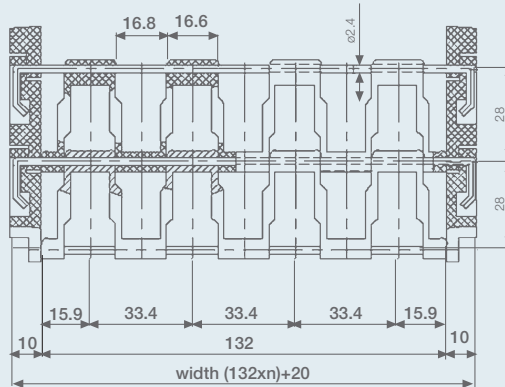
- Belt Surface:** Raised ribs / Open for finger plates
- Open Area:** 62%, 16x25
- Strength:** Heavy application
- Material/Colour:** POM/White, Green with Stainless steel wire 304/316
- Cleanability:** Very good
- Accessories:** 40 mm flights
- Application:** Bottles, boxes, glass, pasteurizing
- Width interval:** 33 mm

Standard measure of the belt

- 76
- 108
- 141
- 1173
- 206
- 238
- 271
- 302
- 335
- 367
- 398
- 431
- 464
- 496
- 529
- 561
- 594
- 626
- 658
- 690
- 723
- 755
- 788
- 820
- 853
- 885
- 917
- 949
- 982
- 1014
- 1047
- 1079
- 1112
- 1144
- 1176
- 1208
- 1241
- 1273
- 1306
- 1338
- 1371
- 1403
- 1435
- 1467
- 1500
- 1532
- 1565
- 1597
- 1630
- 1662
- 1694
- 1726
- 1759
- 1791
- 1824
- 1856
- 1889
- 1921
- 1953
- 1985
- 2018
- 2050
- 2083

BELT DATA

Materials	Max. belt pull kg/m of width	Belt weight kg/m ²
Polyacetal (POM)	3500	8.35



SPROCKET DATA

No. of teeth Z	A=Outside diameter (mm)	B=Pitch diameter (mm)	C=Inside diameter (mm)
12	135.8	109.4	99.8
18	186	159.6	150

HUB SPECIFICATION

Hub width 16 mm	Number of teeth	
	12Z	18Z
Round bore (mm)	20	30
	25	35
	30	40
	35	45
		50
		55
	60	

