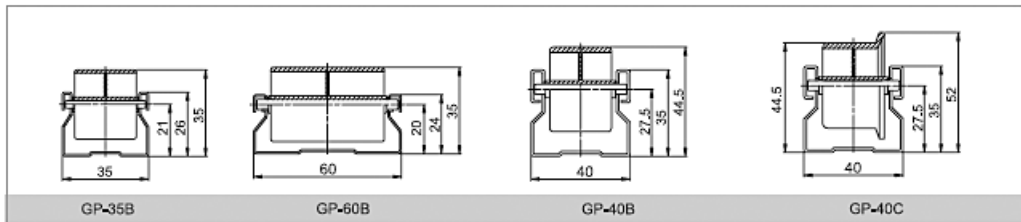


Standard Roller

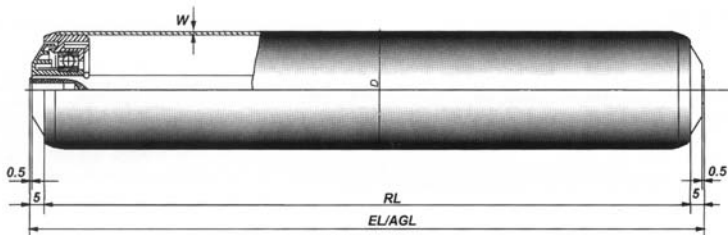
	Tube Quality	Dia. Wall thickness D x W
	PVC	20 x 1.5
		30 x 1.8
		40 x 2.3
		50 x 3.0
		60 x 3.0
	Zinc Plated Steel	50 x 1.5
		50 x 2.0
		60 x 2.0
	Stainless Steel	89 x 3.0
		50 x 1.5
		50 x 2.0
60 x 2.0		
		89 x 3.0

Roller Tracks

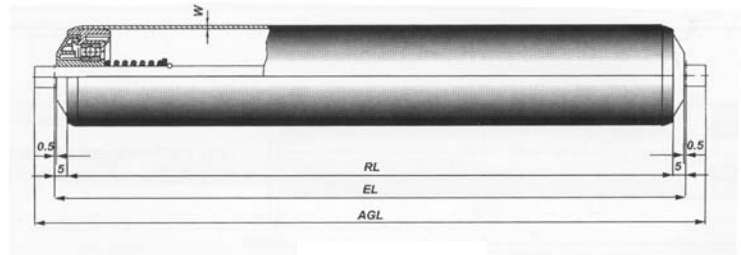


Descriptions	Unit	Specification			
		GP-35B	GP-60B	GP-40B	GP-40C
Load Capacity	Kg-f	100	150	150	150
Roller Diameter	mm	∅28	∅30	∅34	∅34/49
Shaft Diameter	mm	∅3	∅4	∅4	∅4
Roller Pitch	mm	33.33	33.33	36	50
ESD	O/X	O	O	O	X
Standard Length	MT	3 MT / 4 MT			
Material		-SPCC (Galvanized Steel Chrome Free)			

⇒ ⇒ Female threaded spindle



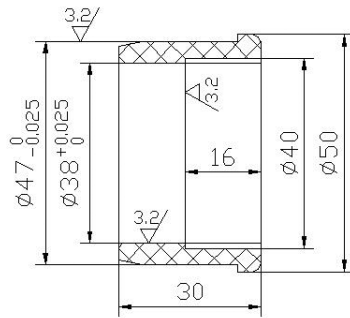
⇒ ⇒ Spring loaded spindle



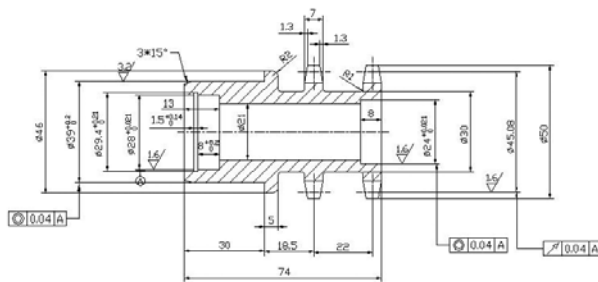
14T-2 Tapped Roller

	Tube Quality	Dia. Wall thickness D x W
	PVC	50 x 3.0
		60 x 3.0
	Zinc Plated Steel	50 x 1.5
		60 x 2.0
	Stainless Steel	50 x 1.5
60 x 2.0		

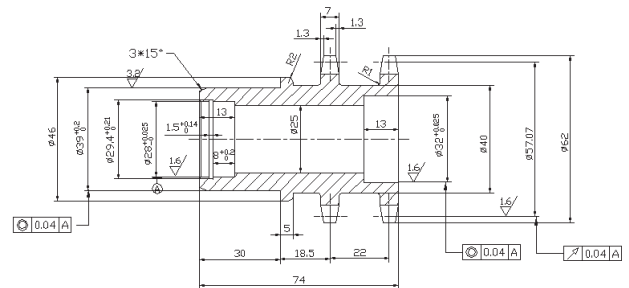
→ → BUSH



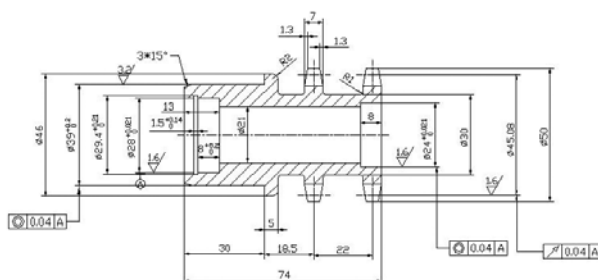
→ → Z1108B2P



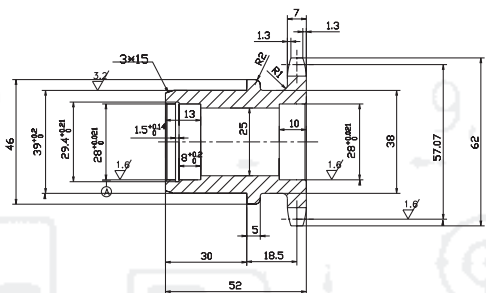
→ → Z1408B2P



→ → Z1108B1P



→ → Z1408B1P

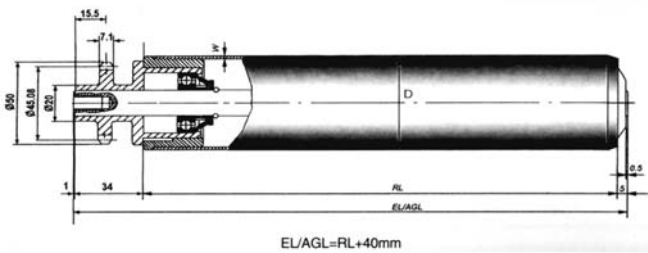


14T-2 Tapped Roller

	Tube Quality	Dia. Wall thickness D x W
	PVC	
		60 x 3.0
Zinc Plated Steel		50 x 1.5
		50 x 2.0
Stainless Steel		60 x 2.0
		50 x 2.0
		60 x 2.0

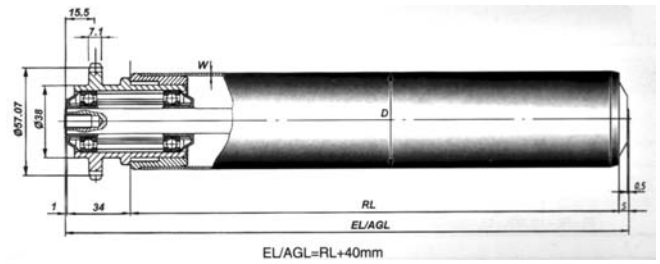
→ → Female threaded spindle

11T-1 plastic sprocket for chain 1/2 x 5/16" 08B-1



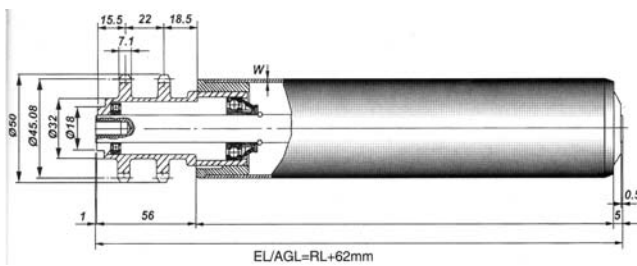
→ → Female threaded spindle

14T-1 plastic sprocket for chain 1/2 x 5/16" 08B-1



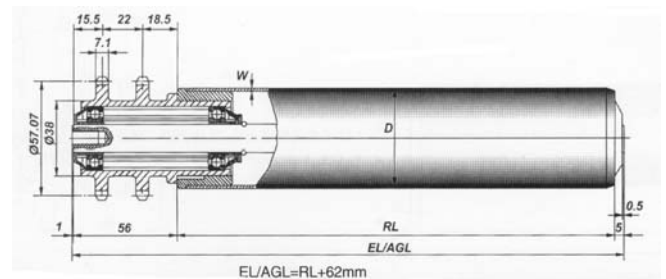
→ → Female threaded spindle

11T-2 plastic sprocket for chain 1/2 x 5/16" 08B-1



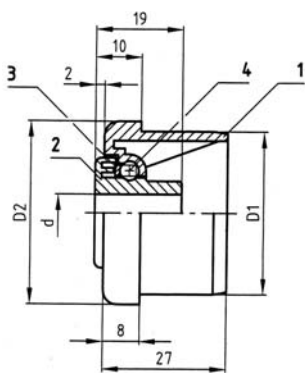
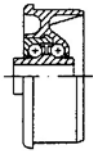
→ → Female threaded spindle

14T-2 plastic sprocket for chain 1/2 x 5/16" 08B-1



PVC ROLLER

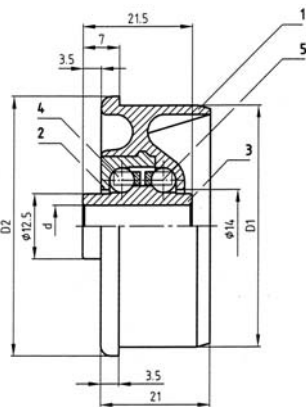
Type	Tube	KTR		Shaft							Load 1000 N	
KTR	20x1,0	.01		6	8						5	
		.00	X	6	8						5	
	20x1,5	.01		6	8						5	
		.00	X	6	8						5	
	30x1,0	.01		5	6	8	10				7	
		.00	X	5	6	8	10				7	
	30x1,8	.01		5	6	8	10				7	
		.00	X	5	6	8	10				7	
	40x1,5	.01		5	6	8	10				7	
		.00	X	5	6	8	10				7	
	50x1,5	.02			6	8	10		12			10
		.03	X		6	8	10		12			10
		.30				8	10	∅ 11	12	14	15	80
		.31	X			8	10	∅ 11	12	14	15	25
	50x2,0	.40				8	10	∅ 11	12	14	15	80
		.02			6	8	10					10
		.03	X		6	8	10					10
		.30				8	10	∅ 11	12	14	15	80
	50x2,8	.31	X			8	10	∅ 11	12	14	15	25
		.40				8	10	∅ 11	12	14	15	80
		.02			6	8	10		12			10
		.03	X		6	8	10		12			10
	60x1,5	.30				8	10	∅ 11	12	14	15	80
		.31	X			8	10	∅ 11	12	14	15	25
.40					8	10	∅ 11	12	14	15	80	
60x2,0	.30				8	10	∅ 11	12	14	15	80	
	.31	X			8	10	∅ 11	12	14	15	25	
	.40				8	10	∅ 11	12	14	15	80	



☉☉ KTR 00, 01

Plastic bearing with or without plastic retainer, one row of balls.

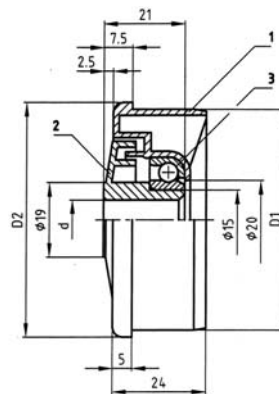
Plastic bearing with or without plastic retainer, one row of balls, stainless.



☉☉ KTR 02, 03

Plastic bearing with or without plastic retainer, two rows of balls.

Plastic bearing with or without plastic retainer, two rows of balls, stainless.

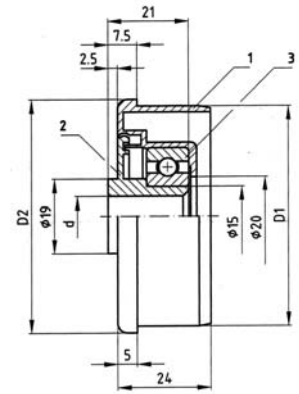


☉☉ KTR 30, 31

Metal bearing, pressed, hardened, with or without retainer, bearing bush.

Metal bearing, pressed, hardened, without retainer, greased, bearing bush.

Metal bearing, pressed, hardened, with retainer, bearing bush, stainless.



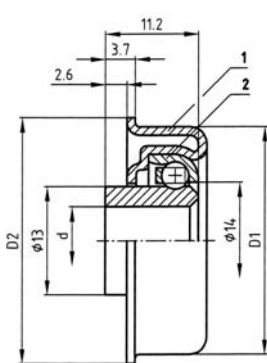
☉☉ KTR 40

Standard ball bearing, DIN 625, Type 6202

Standard ball bearing, DIN 625, Type 6201

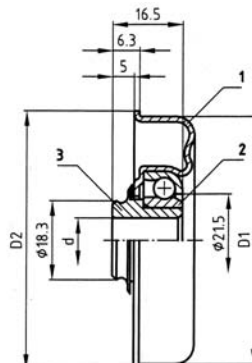
STEEL/STAINLESS STEEL ROLLERS

Type	Tube		Shaft										Load 1000 N	
MTR MTS 	48x2,0	.20 → S. 21	6	8	10	∅ 11	12							80
		.30 → S. 22		8	10	∅ 11	12							120
		.30-1 → S. 24			10	∅ 11	12	14	15					120
		.30-2 → S. 23			10		12	14	15					120
	50x1,5	.20 → S. 21	6	8	10	∅ 11	12							80
		.30 → S. 22		8	10	∅ 11	12							120
		.30-1 → S. 24			10	∅ 11	12	14	15					120
		.30-2 → S. 23			10		12	14	15					120
	50x2,0	.40 → S. 25/26			10	∅ 11	12		15					120
		.20 → S. 21	6	8	10	∅ 11	12							80
		.30 → S. 22		8	10	∅ 11	12							120
		.30-1 → S. 24			10	∅ 11	12	14	15					120
	60x1,5	.30-2 → S. 23			10		12	14	15					120
		.40 → S. 25/26			10	∅ 11	12		15					120
		.20 → S. 21	6	8	10	∅ 11	12							80
		.30 → S. 22		8	10	∅ 11	12							120
	60x2,0	.30-1 → S. 24			10	∅ 11	12	14	15					120
		.30-2 → S. 23			10		12	14	15					120
		.40 → S. 25/26			10	∅ 11	12		15					120
		.20 → S. 21	6	8	10	∅ 11	12							80
.30 → S. 22			8	10	∅ 11	12							120	



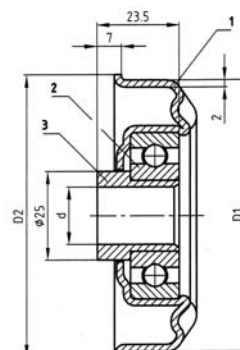
⇒ ⇒ MTR 20

Metal bearing, pressed, hardened, with plastic or metal retainer, bearing bush.



⇒ ⇒ MTR 30

Metal bearing, pressed, hardened, with or without retainer, bearing bush.



⇒ ⇒ MTS 89

Standard ball bearing, DIN 625, Type 6204

