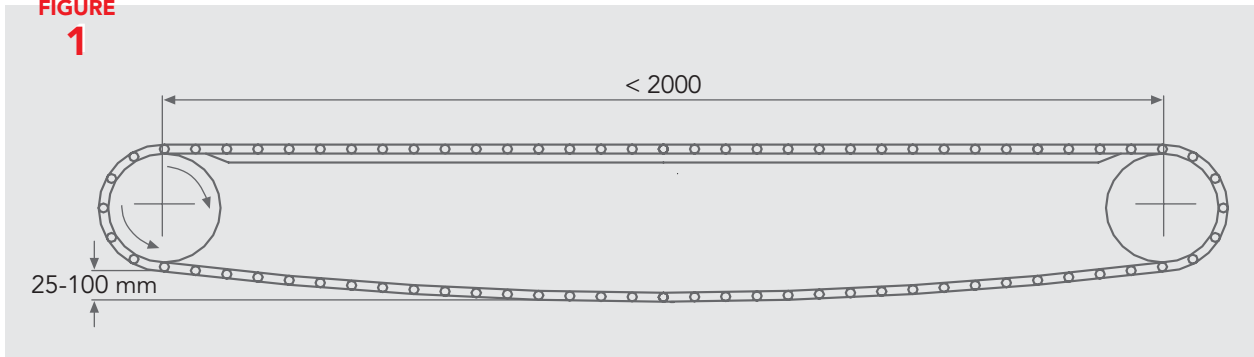
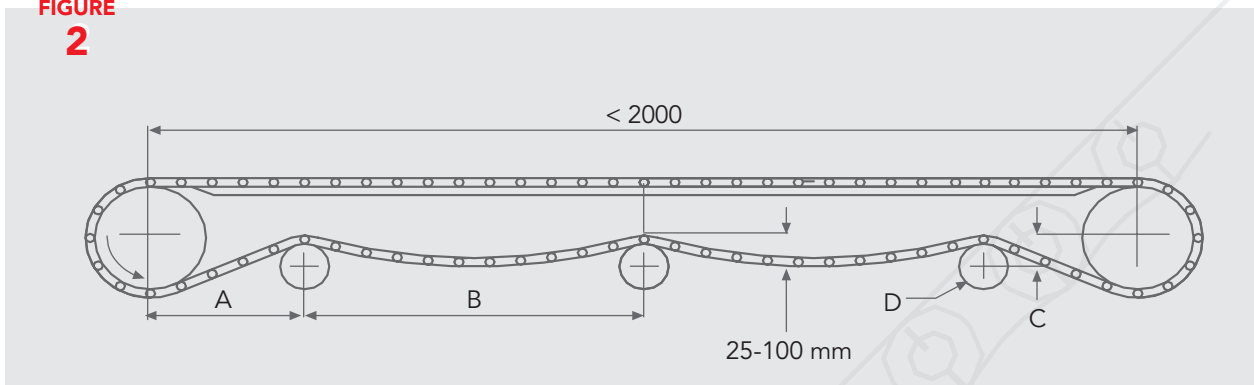


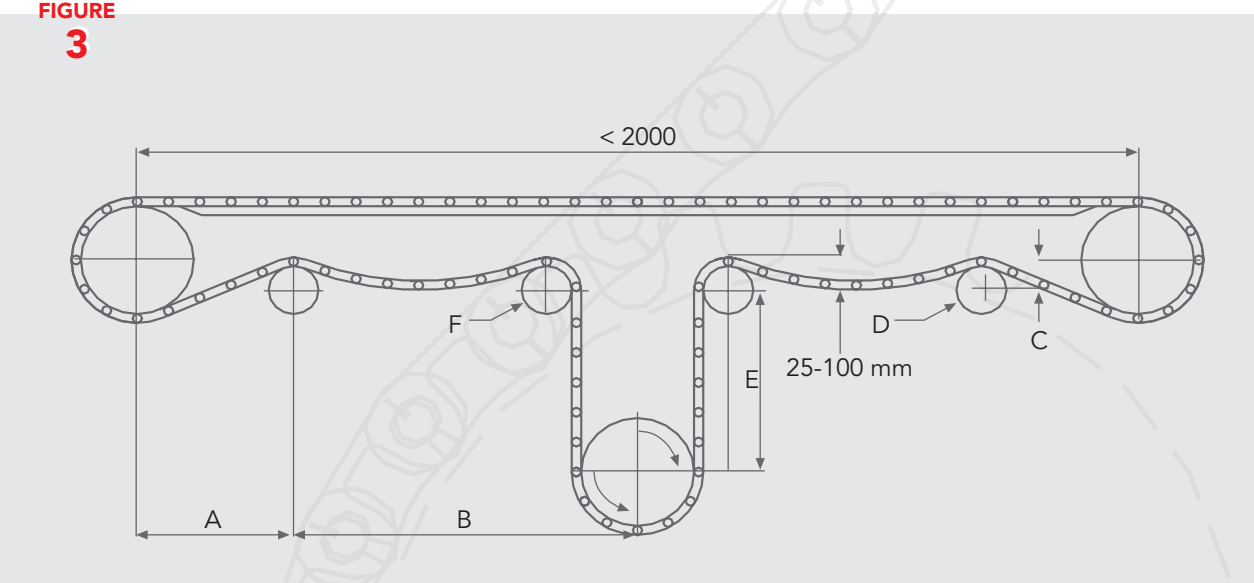
**FIGURE 1**  
**1**



**FIGURE 2**  
**2**

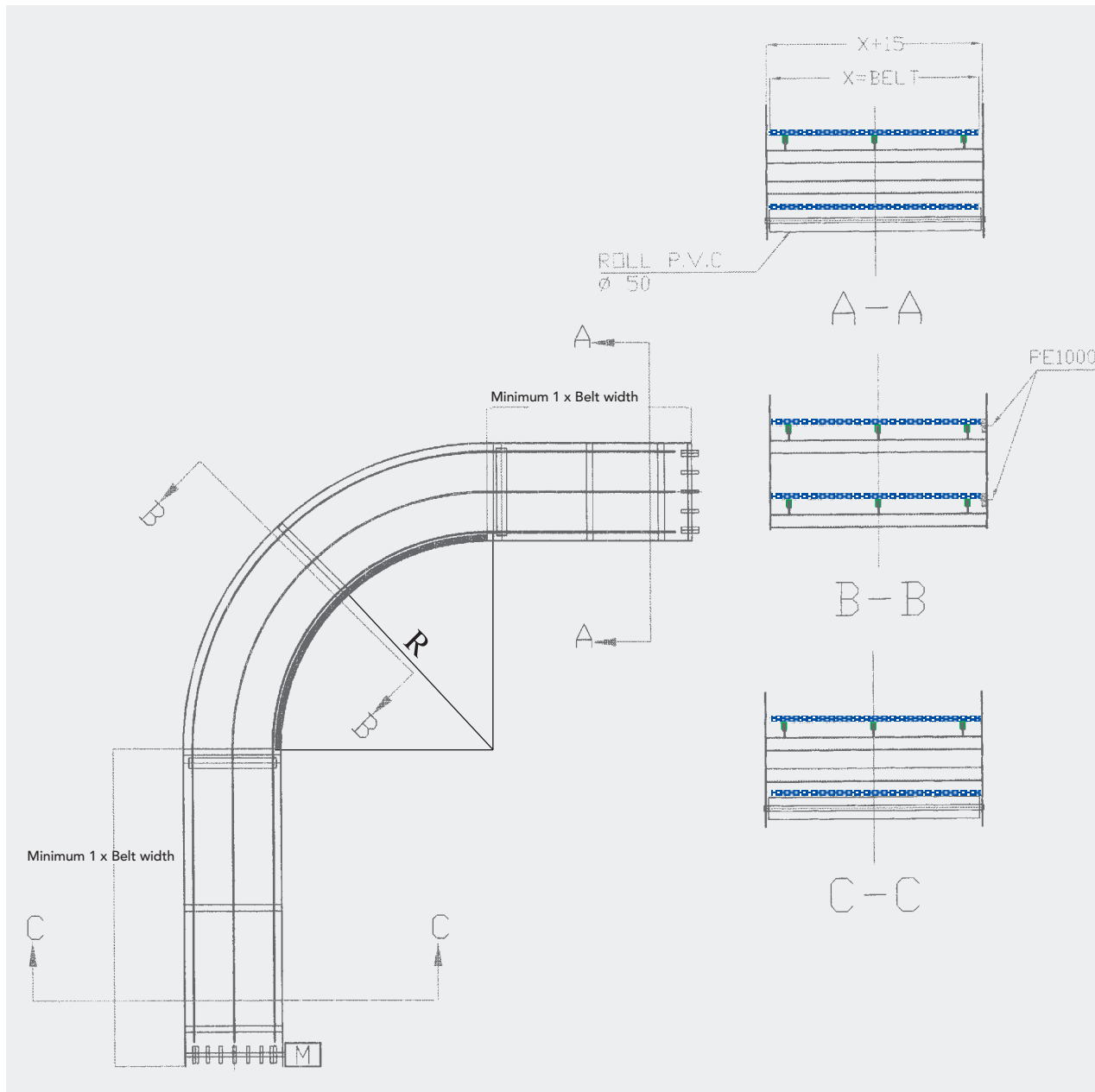


**FIGURE 3**  
**3**



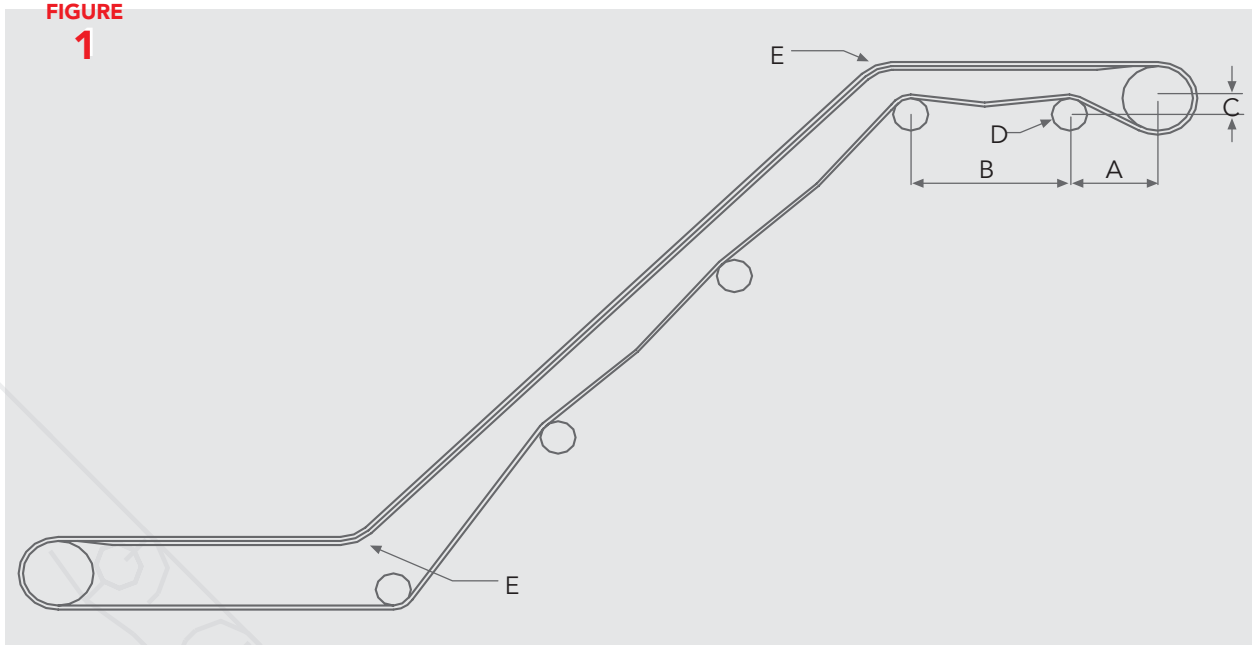
- A = 200 - 300 mm
- B = Min. 1000 mm - max. 10% of the centre distance
- C = 0 - 50 mm
- D = 12 min.  $\varnothing$  30 mm. - 25 min.  $\varnothing$  50 mm. - 50 min.  $\varnothing$  100 mm.
- E = 12 min.  $\varnothing$  50 mm. - 25 min. 75 mm. - 50 min. 150 mm.
- F = 12 min.  $\varnothing$  40 mm. - 25 min.  $\varnothing$  100 mm. - 50 min.  $\varnothing$  150 mm.

## FRAME MEASUREMENTS FOR RADIUS BELTS

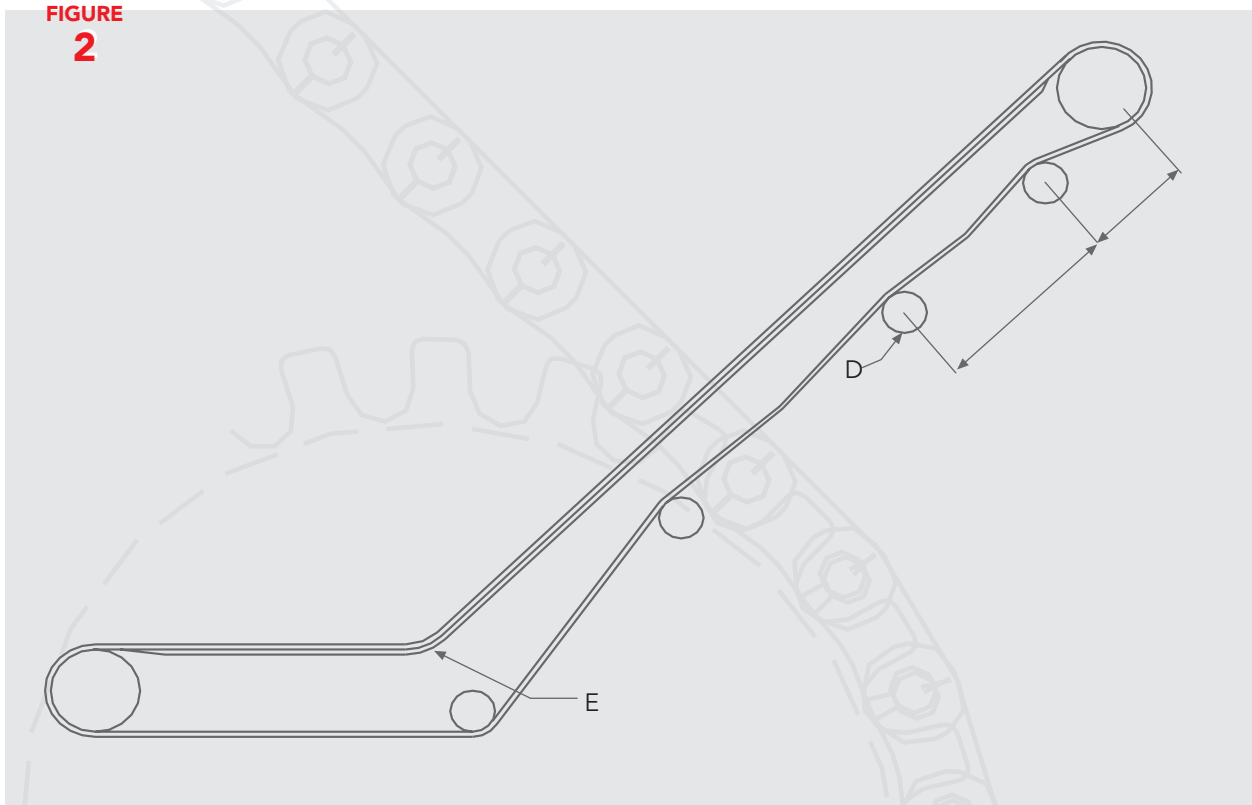


For further support please contact us by fax: + 972-9-7496964

**FIGURE 1**



**FIGURE 2**



- A = 200 - 300 mm
- B = Min. 1000 mm - max. 10% of the centre distance
- C = 0 - 50 mm
- D = 25 min.  $\varnothing$  50 mm. - 50 min.  $\varnothing$  100 mm.
- E = Min. radius 150 mm.